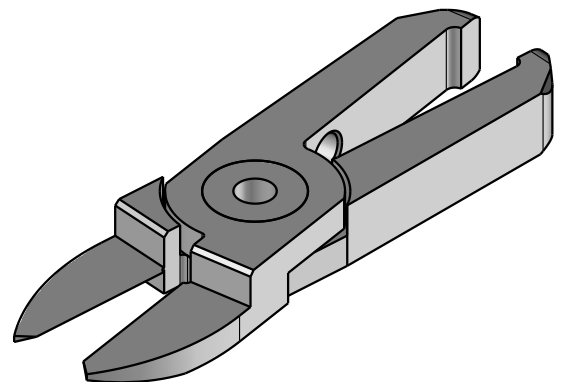
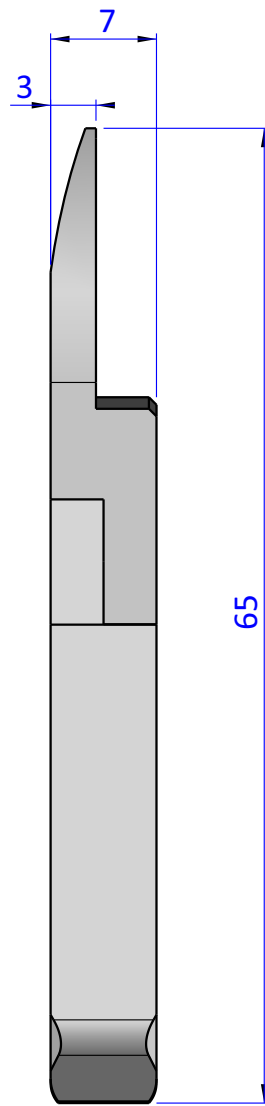
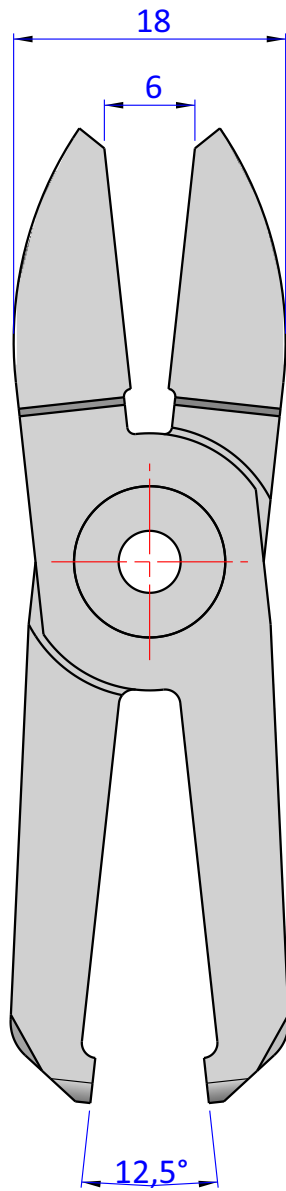


THE PROPERTY OF THE DRAWING IS ESTABLISHED BY LAW. IT IS FORBIDDEN TO PRODUCE OR SHOW IT TO THIRD PART. WITHOUT A WRITTEN AGREEMENT.



DESIGNED FROM <b>FPS Automation</b>		REVIEW <b>A</b>
DATE <b>23/10/2020</b>	WEIGHT <b>0,029kg</b>	
CODE <b>VES.NT05AJY</b>		

Format **A4**

**UNI 936-76**

GENERAL TOLERANCE

UNI - ISO 2768

CLASSE **f**

DESCRIPTION

**VES.NT05AJY**